

# US1

*Theater Pac  
2-Way Universal-Mounting  
Satellite Loudspeakers*

**Owner's Manual**



## **2-WAY UNIVERSAL SATELLITE SYSTEM...**

## **ABOUT THIS MANUAL...**

## **PARTS LIST...**

## **TOOLS AND SUPPLIES (NOT ENCLOSED)...**

# **INTRODUCTION**

The Infinity US-1 is a compact, efficient 2-way universal satellite speaker system that is ideal for reproducing home-theater sound for front or rear channels. With their versatile design, US-1 speakers can be placed virtually anywhere on shelves or stands, or mounted on a wall or ceiling, using the integral 4-way mounting bracket. It has crossholes for mounting and also acts as a door which hides the mounting terminals. The US-1 Theater Pac contains five US-1 satellite speakers.

To start enjoying your new US-1 Theater Pac, first read and then perform all instructions listed in this manual, as well as those found in the owner's manuals of associated components in your audio system. Save all instructions for future reference. These speakers are covered by a limited five-year warranty, so save the bill of sale to protect your purchase and aid in any service-related questions.

# **UNPACKING THE SPEAKERS**

Carefully unpack the speakers. If you suspect damage from transit, report it immediately to your dealer and/or delivery service. Keep the shipping cartons and packing materials for future use. Open the accessory pack and verify the following contents:

- ◆ (5) US-1 Speakers
- ◆ Owner's Manual and Warranty Registration Card
- ◆ Hex wrench, 5/32" (4mm)

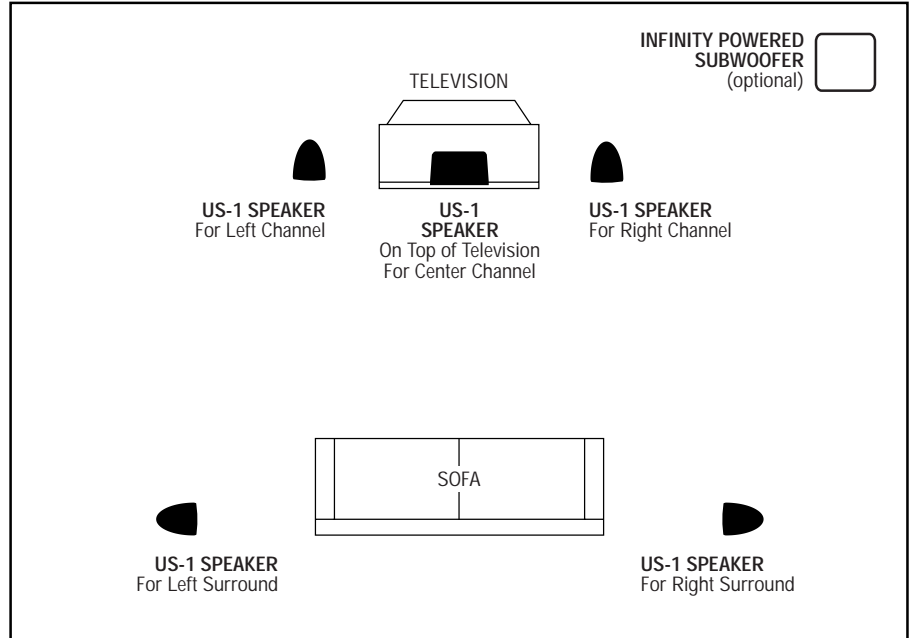
You may also need the following tools and supplies:

- ◆ High-quality speaker wire (also see *Wiring the System* on page 7)
- ◆ Necessary wall-mounting hardware
- ◆ Wire strippers

# PLANNING YOUR SYSTEM

US-1 speakers can be used to reproduce sound for either front or surround channels. Before deciding where to place your US-1 speakers, survey your room and study Figure 1 to determine the best placement.

Figure 1. In this overhead view of a typical 6-piece home entertainment system, US-1 speakers are used to reproduce sound for the front, center and surround channels. An Infinity powered subwoofer (optional) is shown providing extra bass for effects and music.



## PLACEMENT

*NOTE: US-1 speakers can be placed directly on a shelf or mounted on a wall, using the built-in bracket (see Figures 2 through 5).*

### FRONT CHANNELS...

For front left and right channels, place one US-1 speaker on the left and another on the right, along either side of the television monitor.

### CENTER CHANNEL...

For the center channel, place one US-1 speaker directly on top of, or below, your television, either vertically or horizontally.

Since the speakers are magnetically shielded, you can place them very close to the TV without worrying about the magnetic field distorting the TV picture.

### SURROUND CHANNELS...

For surround left and right channels, place one US-1 speaker on the left and another on the right, to the side of, or behind the listening area.

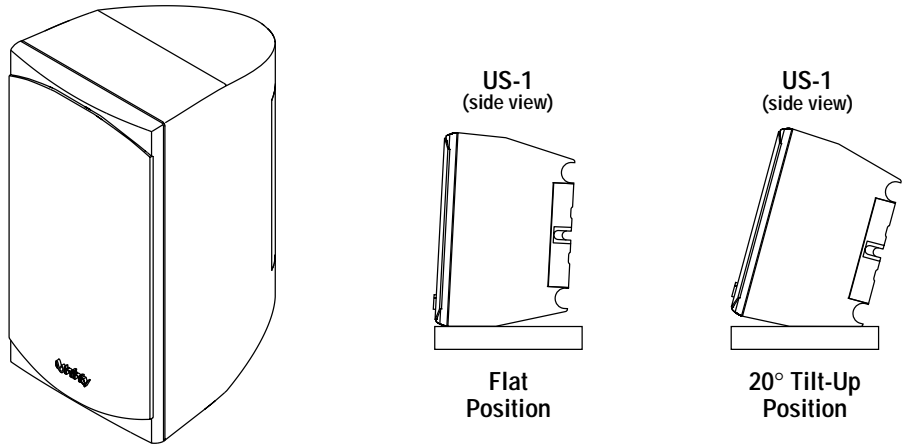
# SHELF PLACEMENT OF US-1

## VERTICAL POSITION...

US-1 speakers can be positioned vertically in two positions on a shelf or stand, as shown in Figure 2. Set each US-1 flat, with the logo at the bottom and the bracket facing inward. You can also push the speakers gently back for a 20° tilt.

Figure 2. This illustration shows how to vertically position US-1 speakers two ways.

### US-1 VERTICAL PLACEMENT ON A SHELF



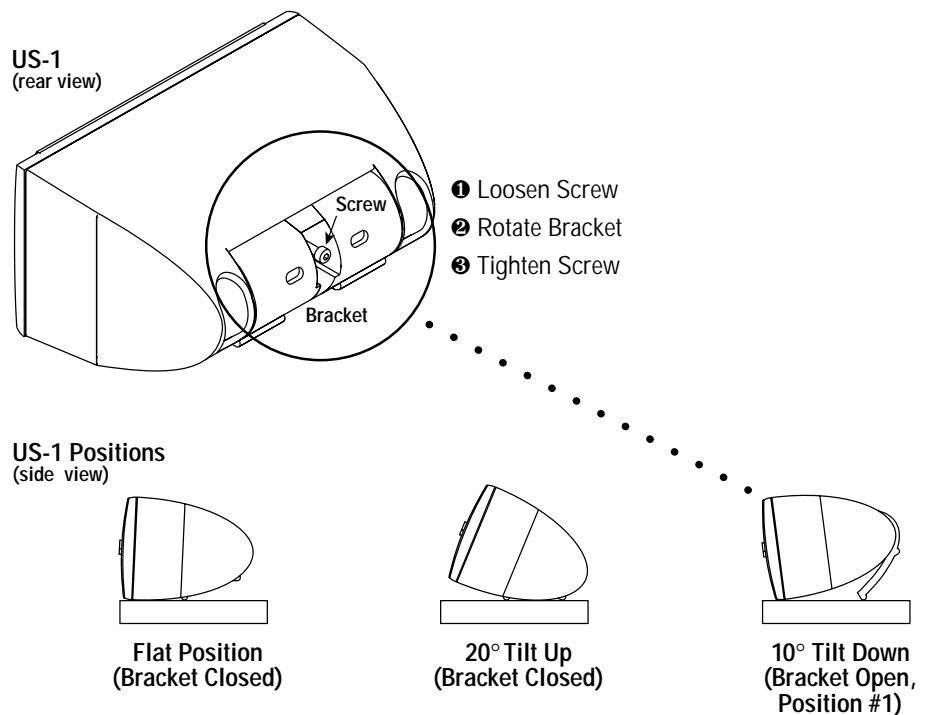
## HORIZONTAL POSITION...

US-1 speakers can be positioned horizontally in three positions on a shelf or stand, as shown in Figure 3. Set each US-1 flat, or push the speakers gently back for a 20° tilt. Rotate the logo to match the orientation of the speaker. To provide a 10° tilt-down angle, loosen the bracket screw on the rear door with the hex wrench (included) and adjust the bracket to **Bracket Open, Position #1**. Tighten the bracket screw when you have reached the desired angle.

*NOTE: You may want to route the wires before tightening the bracket screw (see Figure 7 on page 7).*

Figure 3. This illustration shows how to horizontally position US-1 speakers three ways.

### US-1 HORIZONTAL PLACEMENT ON A SHELF



**NOTE: The customer is responsible for the correct selection and use of mounting hardware (available through hardware stores) that will ensure the proper and safe wall-mounting of the speakers.**

## VERTICAL MOUNTING...

Figure 4. This illustration shows how to mount a US-1 speaker vertically on a wall or ceiling four different ways.

# WALL-MOUNTING THE US-1

US-1 speakers can be wall- or ceiling-mounted, as shown in Figures 4 and 5. You can mount the speakers with #6 wood screws (not included), using the built-in mounting bracket.

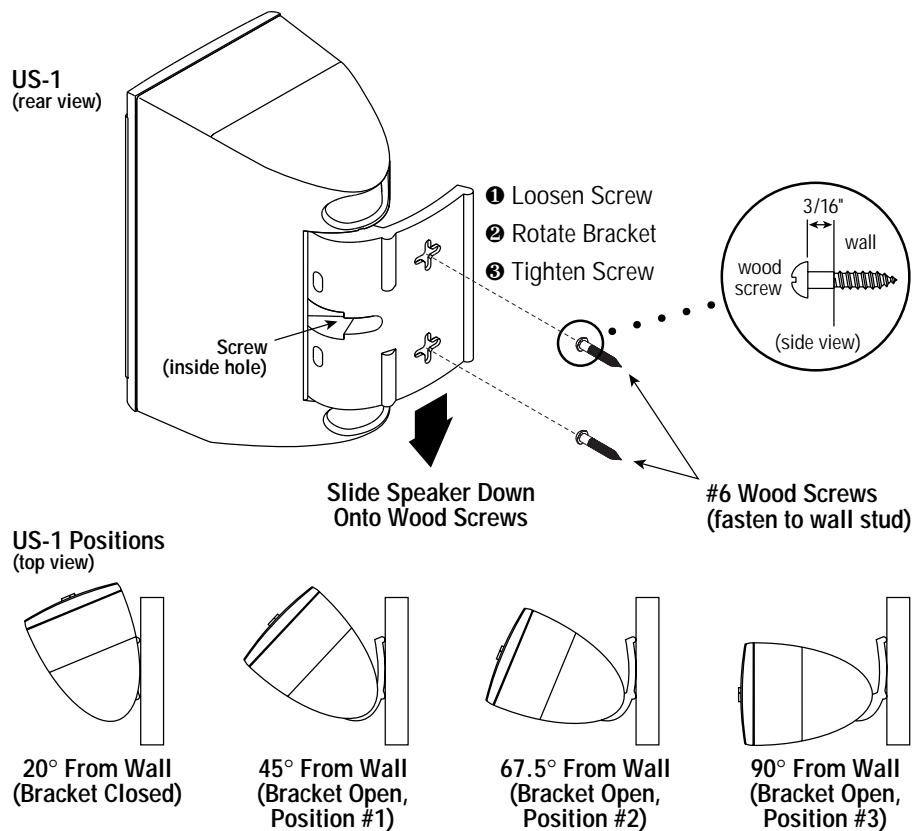
Use the enclosed template to mark the desired position of each US-1 on a wall or ceiling. Locate a stud for secure mounting and use heavy-duty wood screws with long threads. Test the mounting thoroughly before installation.

To mount the US-1 speaker vertically on a wall, fasten the wood screws (not included) to a wall stud, leaving a 3/16" clearance between the base of the screw head and the wall. If desired, loosen the bracket screw, adjust the bracket angle, and tighten the bracket screw.

*NOTE: You may want to route the wires before tightening the bracket screw (see Figure 7 on page 7).*

Then orient the speaker vertically, align the crossholes on the rear of the US-1 with the wood screws, and slide the speaker down.

### US-1 VERTICAL MOUNTING USING BRACKET



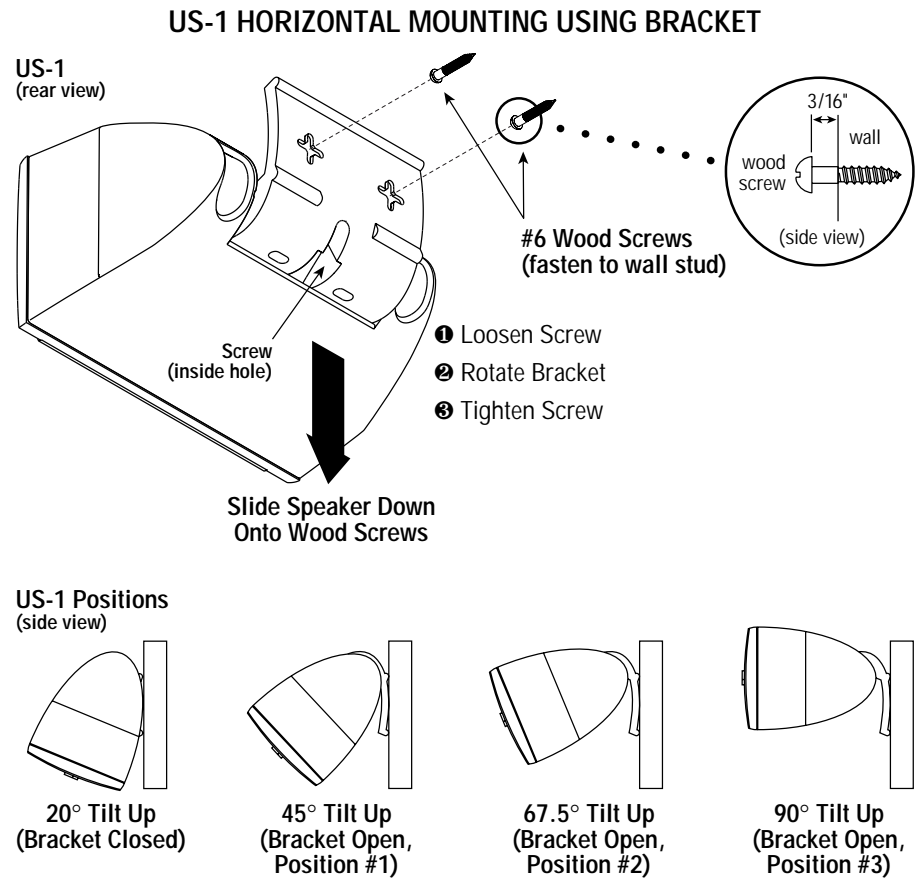
# HORIZONTAL MOUNTING...

For horizontal mounting, fasten the #6 wood screws (not included) to a wall stud, leaving a 3/16" clearance between the base of the screw head and the wall. If desired, loosen the bracket screw, adjust the bracket angle, and tighten the bracket screw.

*NOTE: You may want to route the wires before tightening the bracket screw (see Figure 7 on page 7).*

Then orient the speaker horizontally, align the crossholes on the rear of the US-1 with the screws, and slide the speaker down. Rotate the logo to match the orientation of the speaker.

Figure 5. This illustration shows how to mount a US-1 speaker horizontally on a wall or ceiling four different ways.



## TURN OFF ALL POWER...

### IMPORTANT!

Figure 6. Wiring diagram shows polarity connections for one channel of a stereo or home theater system.

## ROUTING THE WIRES...

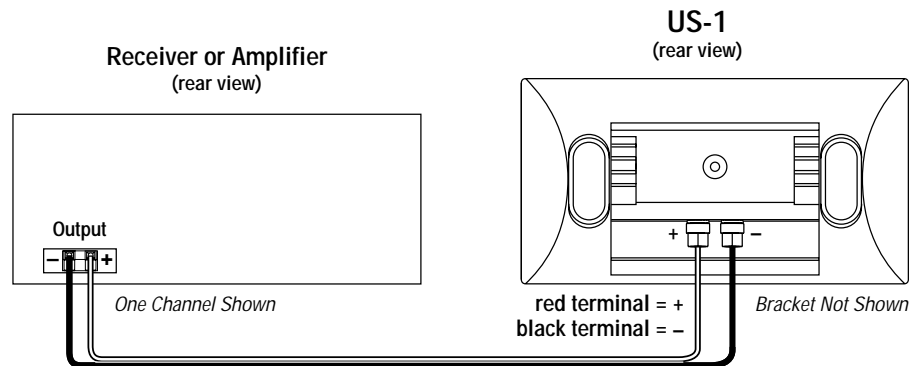
Figure 7. This illustration shows how to route the wires through either hole in the US-1 bracket and connect them to the terminals.

# WIRING THE SYSTEM

After placing the speakers, you are ready to connect your system. First turn off all audio system power. Use high-quality speaker wire to make your connections. For speaker connections, use at least #18 gauge speaker wire (or #16 for runs over 25 feet) with polarity coding. The side of the wire with a ridge or other coding is usually considered positive polarity (i.e., +). Also, consult the owner's manuals that were included with your amplifier, receiver, or television to confirm connection procedures.

On the back of the US-1, loosen the bracket screw and rotate the bracket to access terminals. Observe polarities when making speaker connections, as shown in Figure 6. Connect each + terminal on the back of the amplifier, receiver, or television to the respective + (red) terminal on each US-1 speaker. Similarly, connect the - (black) terminals in the same way.

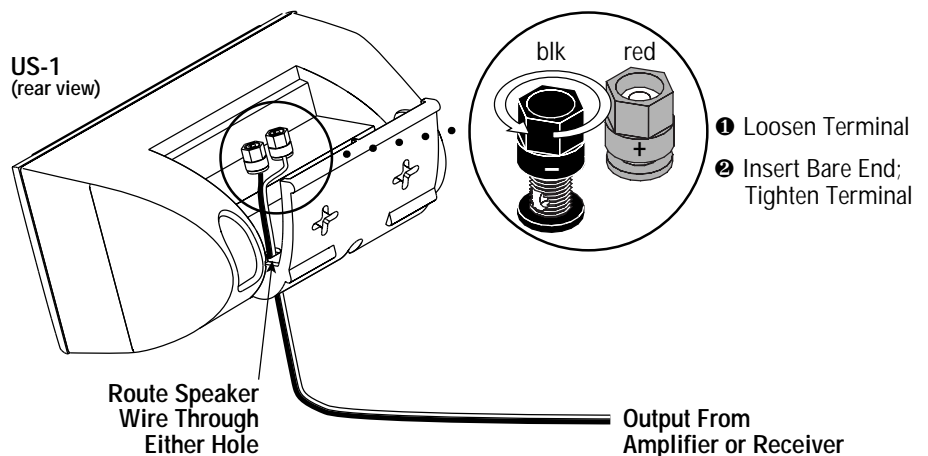
**Do not reverse polarities (i.e., + to - or - to +) when making connections. Doing so will cause poor imaging and diminished bass response.**



After making your connections, route the wires through either hole in the door, as shown in Figure 7.

*NOTE: You may need to loosen the bracket screw to open the door further.*

After you finish connecting your system, return the door to the desired angle and tighten the bracket screw.



## CHECKING PLAYBACK...

# OPERATING THE SYSTEM

Check the speakers for playback by first setting the audio system volume control for a minimum level, and then applying power to your system. Play a favorite music or video segment and increase the volume control to a comfortable level.

*NOTE: You should hear balanced audio reproduction across the entire frequency spectrum. If not, check all wiring connections and see In Case of Trouble for more help.*

## SURROUND MODES...

When using the US-1 Theater Pac in a Dolby\* Pro Logic\* home-theater system, make sure the receiver's center-channel mode is set to "Normal". When using the US-1 Theater Pac in a Dolby Digital or DTS® home-theater system, make sure the receiver's speaker mode is set to "Small".

# CARE OF YOUR SPEAKER SYSTEM

The US-1 enclosure finish does not require any routine maintenance. When needed, use a soft cloth, dampened with water only, to remove any fingerprints or to wipe off dust. Clean the grille by gentle vacuuming or with a damp cloth.

*NOTE: Do not use any cleaning products or polishes on the enclosure or grille.*

# IN CASE OF TROUBLE

Before consulting your dealer, try these simple troubleshooting steps:

- If the sound quality is distorted, listen to each speaker separately.
- If distortion is present in both, the problem is probably somewhere else in your system.
- If only one channel is distorted, switch the left and right speaker leads at the receiver.
- If the distortion moves to the other speaker, the problem is not in the speaker.
- If you need further assistance, contact your local Infinity retail dealer.



# SPECIFICATIONS – US-1

## PERFORMANCE DATA

Frequency Range:	70 ~ 20,000Hz
Sensitivity:	86dB spl @ 1m/2.83 V (anechoic conditions)
Impedance:	8 $\Omega$ nominal
Maximum Peak Output:	104dB (spl on program)
Recommended Maximum Amplifier Power:	10 ~ 100W

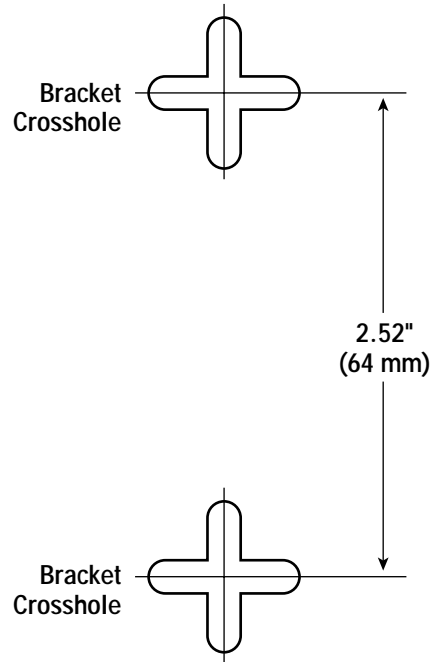
## DRIVE UNITS

Low/Mid Frequency:	One 4" (100mm) magnetically shielded, polypropylene cone
High Frequency:	One 1/2" (12.5mm) magnetically shielded, polycarbonate dome tweeter

## DIMENSIONS

Width:	4-1/2" (114mm)
Height:	8-1/2" (216mm)
Depth:	5-1/2" (140mm)
Weight:	3.4 lb or 1.6 kg (each)

# US-1 MOUNTING TEMPLATE...



Declaration of Conformity



We, Infinity Systems A/S  
Kongevejen 194B  
DK-3460 Birkerød  
DENMARK

declare in own responsibility, that the products described  
in this owner's manual are in compliance with technical  
standards:

EN 50081-1:1992

EN 50082-1:1992

A handwritten signature in black ink, appearing to read 'Steen Michaelsen'.

Steen Michaelsen  
Infinity Systems A/S  
Birkerød. DENMARK. 3/99

Infinity continually strives to update and improve existing products, as well as create new ones. The specifications and construction details in this and related Infinity publications are therefore subject to change without notice.

©1999 Infinity Systems, Inc., 250 Crossways Park Drive, Woodbury, NY 11797 USA  
(800) 553-3332  
[www.infinitysystems.com](http://www.infinitysystems.com)

Infinity is a registered trademark of Infinity Systems, Inc.  
\*Trademarks of Dolby Laboratories.  
DTS is a trademark of Digital Theater Systems, Inc.

 A Harman International Company